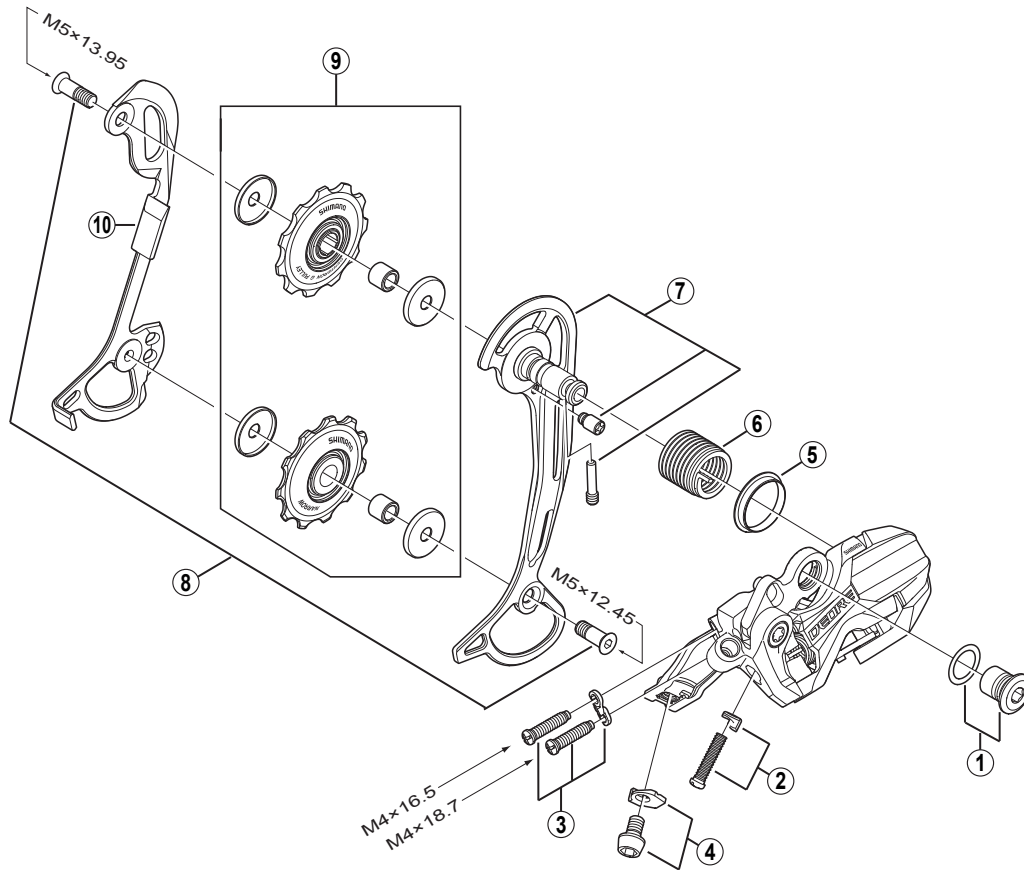


DEORE Rear Derailleur

RD-M592 (SGS) Super Long Cage



RD-IM662
RD-IM530

ITEM NO.	SHIMANO CODE NO.	DESCRIPTION	INTERCHANGEABILITY	
1	Y-5W7 98110	B-Axle Assembly	A	
2	Y-5W7 98120	B-Tension Adjusting Screw (M4 x 18) & Plate	A	
3	Y-5W7 98020	Stroke Adjusting Screws & Plate	A	
4	Y-5X7 98010	Cable Fixing Bolt (M5 x 8.5) & Plate	B	
5	Y-5UC 14000	P-Seal Ring	A	A
6	Y-5W7 22000	P-Tension Spring	A	
7	Y-5X7 98020	Outer Plate Assembly	B	
8	Y-5X7 98040	Guide Pulley Bolt & Tension Pulley Bolt Set	B	
9	Y-5VM 98070	Guide & Tension Pulley Unit	B	A
10	Y-5X7 10000	Inner Plate	B	

A: Same parts.

B: Parts are usable, but differ in materials, appearance, finish, size, etc.

Absence of mark indicates non-interchangeability.

0902-2909

Specifications are subject to change without notice.

SHIMANO