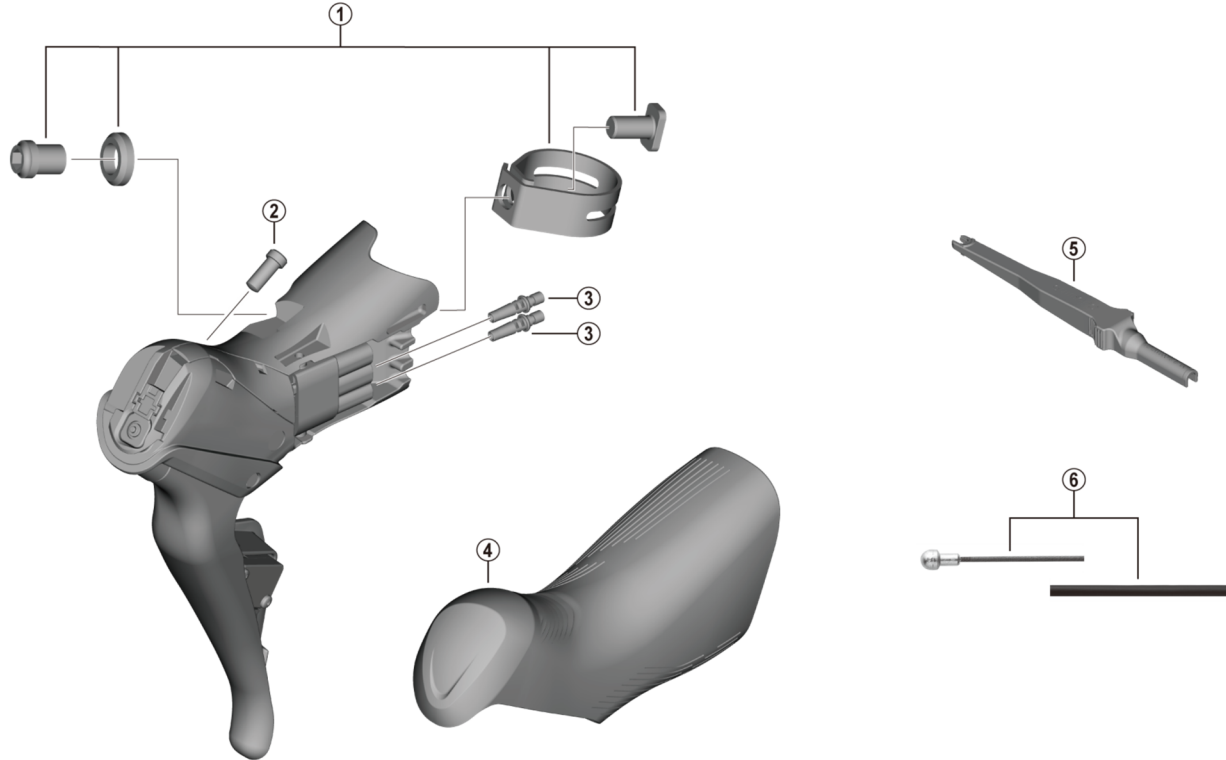


# ULTEGRA Dual Control Lever

## ST-R8150 (2x12-speed)



ITEM NO.	SHIMANO CODE NO.	DESCRIPTION
1	Y0N898010	Clamp band unit (diameter 23.8 mm - 24.2 mm)
2	Y0DL44000	Grip adjusting screw
3	Y7HE30000	Dummy plug
4	Y0N798010	Bracket covers (pair)
5	Y7HE40000	TL-EW300 Plug tool
6	Y8YZ98010	BC-9000 polymer coated brake cable sets (black) • Outer cap with tongue for BC-9000 (2 pcs.) • Inner end cap (2 pcs.)
	Y8YZ98020	BC-9000 polymer coated brake cable sets (white) • Outer cap with tongue for BC-9000 (2 pcs.) • Inner end cap (2 pcs.)
	Y8YZ98030	BC-9000 polymer coated brake cable sets (red) • Outer cap with tongue for BC-9000 (2 pcs.) • Inner end cap (2 pcs.)
	Y8YZ98040	BC-9000 polymer coated brake cable sets (high-tech gray) • Outer cap with tongue for BC-9000 (2 pcs.) • Inner end cap (2 pcs.)
	Y8YZ98080	BC-9000 polymer coated brake cable sets (orange) • Outer cap with tongue for BC-9000 (2 pcs.) • Inner end cap (2 pcs.)
	Y8YZ98090	BC-9000 polymer coated brake cable sets (green) • Outer cap with tongue for BC-9000 (2 pcs.) • Inner end cap (2 pcs.)
	Y8YZ98091	BC-9000 polymer coated brake cable sets (blue) • Outer cap with tongue for BC-9000 (2 pcs.) • Inner end cap (2 pcs.)
	Y8YZ98092	BC-9000 polymer coated brake cable sets (yellow) • Outer cap with tongue for BC-9000 (2 pcs.) • Inner end cap (2 pcs.)

Oct.-2021-4865  
© Shimano Inc. I

Specifications are subject to change without notice.

# SHIMANO