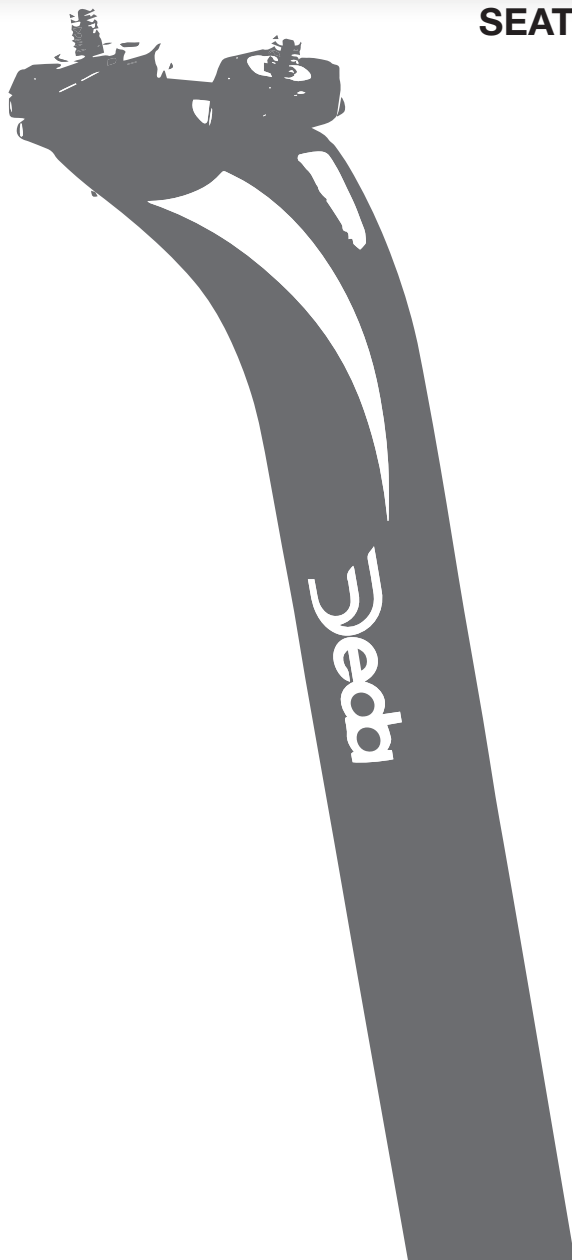


## SEAT POST

seat post



# INDEX

UK

|   |   |         |
|---|---|---------|
| 1 | WHAT IS VERY IMPORTANT FOR YOUR SAFETY? _____   | pag. 15 |
| 2 | LIMITS OF USE AND COMPATIBILITY TEST _____  | pag. 17 |
| 3 | INFORMATION ON PERIODIC CHECKS, WEAR AND REPLACEMENT NEEDS<br>OF DEDA ELEMENTI AND MUD COMPONENTS _____ | pag. 18 |
| 4 | GENERAL NOTES ON INSTALLATION _____   | pag. 19 |
| 5 | WARRANTY TERMS _____  | pag. 23 |
| 6 | CONTACT INFORMATION _____   | pag. 23 |

## WHAT IS VERY IMPORTANT FOR YOUR SAFETY?

- DEDA ELEMENTI and MUD recommends that their components be installed and adjusted by qualified mechanics at your local DEDA ELEMENTI dealers only. Our staff is trained, updated and familiar with the peculiarities of the DEDA ELEMENTI products, their recommended fittings and performance limitations.
- To adjust the bolts always use a torque wrench and follow carefully the recommended tightening torques printed on the components ATTENTION: the torque values in this manual indicate the maximum recommended torque! Please never exceed the indicated torque value!
- DEDA ELEMENTI and MUD components are designed to operate properly if fitted following the recommended tightening torques printed on the components without ever exceeding the values indicated in the Table 1. If these values must be exceeded in order to avoid relative rotation of saddle on seat post or seat post in the seat tube of your frame, carefully check that mating surfaces are absolutely free of grease or other lubricants. Grease will drastically reduce the friction between the surfaces hence forcing you to dangerously overtighten the screws. Never exceed the maximum recommended tightening torque, alternately do not hesitate to apply a slight film of assembly compound on the clamping surfaces in order to improve the coefficient of friction. If the problem persists please contact your local DEDA ELEMENTI dealer or headquarters.

When tightening the bolts without using a torque wrench, you will systematically tend to underestimate the tightening torque. You will therefore overtighten the bolts. It is important to remember that overtightened bolts will not lead to a greater security of the assembly, but, on the contrary, they will put excessive stress on the components, thereby drastically reducing their fatigue life, causing breaking or cracking conditions that can have serious consequences on your life.

If you are in an emergency, and cannot use a torque wrench, make sure the bolts are just tight enough to prevent relative rotation of the components during regular use of the bike, and please contact your local DEDA ELEMENTI dealer at your earliest convenience for a torque measurement.

- Before any ride, follow this simple checklist, which allows you to prevent most of the possible problems:
  - A) Visually check the seat post tube and the clamp bolts.
  - B) Please ensure that the seat rests firmly on the seat post. If anomalous movements are noted, in order to verify the integrity of all components, disassemble and inspect the saddle and seat post before tightening the bolts further.

- C) Ensure that the seat post does not have any play inside the frame. If this happens, before tightening the seat post clamp further, disassemble and inspect the seat post, to check the integrity of the seat tube.
- Do not use the bicycle if seat post exhibit creaking noises or if you notice damage such as cuts, cracks, bulges, dents, discolorations, etc. Please have your authorized DEDA ELEMENTI dealer carefully inspect these damages and if necessary, replace the components.
  - Please refer regularly to [www.dedaelementi.com](http://www.dedaelementi.com) to receive information about any additional recommendations, updating campaigns, or recalls of

## Maximum tightening torque

### Alloy seatpost – maximum recommended torque

| Bolt type | Bolt diameter in (mm) | Torque (Nm) |
|-----------|-----------------------|-------------|
| M6        | 6                     | 8           |
| M7        | 7                     | 8           |
| M8        | 8                     | 10          |

### Carbon seatpost - Maximum recommended torque

| Bolt type | Bolt diameter in (mm) | Torque (Nm) |
|-----------|-----------------------|-------------|
| M6        | 6                     | 6           |
| M7        | 7                     | 6           |
| M8        | 8                     | 6           |

The DEDA ELEMENTI components are designed and tested according to the specific conditions of use pertaining to the various genres of cycling, as classified in the DEDA ELEMENTI catalogue available at [www.dedaelementi.com](http://www.dedaelementi.com).

Please follow strictly the following instructions:

- Please choose and use the DEDA ELEMENTI and MUD components according to the intended use.
- Do not use any road components (ROAD/Deda Elementi series) for all-terrain use (MTB/MUD series).
- Do not use the DEDA ELEMENTI and MUD components for Freeride, Dual Slalom, Downhill, and generally for all applications that are outside the scope of testing provided by EN14766 and EN14781 standards.
- Before purchase and installation, please make sure the components compatibility and best fit:
  - 1) Seat post tube outer diameter/frame seat tube inner diameter (MAX ALLOWED TOLERANCE 0.20 mm.)
  - 2) Saddle frame/seat post rail diameter and radii of curvature (MAX ALLOWED TOLERANCE 0.05 mm.)
- DEDA ELEMENTI and MUD seat posts are designed to carry a maximum fully equipped rider's weight of 242 lbs. (110 kg).

After the component's first fitting and break-in (generally after the first 100-250 km), using a torque wrench, check the correct tightening of all the bolts. If needed, loose the bolts and re-tighten to the correct torque.

- Bolts that are too tight or too loose can cause serious accidents, that can lead to serious injuries or death.
- DEDA ELEMENTI and MUD components are designed to operate properly if fitted following the recommended tightening torques printed on the components without ever exceeding the values indicated in Table 1. If these values must be exceeded in order to avoid relative rotation of saddle on seat post or seat post in the seat tube of your frame, carefully check that mating surfaces are absolutely free of grease or other lubricants. Grease will drastically reduce the friction between the surfaces hence forcing you to dangerously overtighten the screws. If the problem persists please contact your local DEDA ELEMENTI dealer or headquarters.
- There are commercially available products that improve the coefficient of friction (grip) between seat post tube and carbon frame. Do not hesitate to use them if applying the recommended torque values does not help achieving the optimal tightening of the seat post in the tube.

All bicycle components are subject to wear and properties and performance deterioration, based on your bicycle care and maintenance and on the environmental conditions to which the bike is exposed, e.g. rain, mud, dust and sand. Metal parts are particularly subject to atmospheric corrosion, while parts made of composite material are especially sensitive to the direct exposure to sunlight, extreme temperatures, and shocks.

Every two years, or every year in case of intensive use, please have a qualified DEDA ELEMENTI mechanic remove seat post tube and bolts in order to inspect them for integrity.

No component should exhibit cracks, cuts or abrasions. If in doubt, do not hesitate to contact DEDA ELEMENTI.

- Accidents, impacts or drops can produce damage or delamination in composite components which may not be readily visible, and give rise to sudden failures over time. These can cause serious accidents, that can lead to serious injuries or even death. Therefore, remove and inspect periodically and accurately all the components. Seat post components and/or parts which exhibit even minor signs of wear and/or cracking cannot be repaired. Replace them with original spare parts and, if impossible, then replace the whole product.

■ Accidents, impacts or drops can produce microcrackings in metal components which may grow into fatigue cracks not readily visible, and give rise to sudden failures over time. These can cause serious accidents, that can lead to serious injuries or even death. DEDA ELEMENTI and MUD metal seat posts and seat post heads are made in hard aluminum alloy, and, if bent as a result of impact or drop, they cannot be straightened. Replace them with original spare parts. Crooked, bent or stripped bolts must be immediately replaced with bolts with a hardness rating of 6.9 or greater.

## 4 GENERAL NOTES ON INSTALLATION

For the first fitting of the seat post please contact a qualified DEDA ELEMENTI mechanic. He has the expertise and the equipment required to safely assemble the DEDA ELEMENTI and MUD products for you and the environment.

Each of the following instructions must be carefully observed. Failure to comply with the following instructions may cause the component failure and result in serious accidents, that can lead to serious personal injuries or even death.

■ Before installing the seat post in the frame, carefully check that the frame seat tube is clean and free of burs, excess paint and/or metal parts. Sharp edges at the seat post insertion point into the frame are very dangerous as they can damage the tube in the post and act as fracture initiators.

■ There is a wide range of commercially available saddles featuring different seat angles, lengths of saddle rails, diameters, rails beam and height as well as clearance between the shell and fore-aft adjustment system. DEDA ELEMENTI & MUD does not guarantee the compatibility of its seat posts with commercially available saddle assemblies, and their effective adjustments (aft adjustment and leveling). We recommend that you check, before purchasing them, saddle and seat post compatibility.

■ Deda Elementi seat posts are designed to suit sport saddles with a 7 mm rail diameter, and 43 mm rail spacing, as well as with slightly ovalized rails (7 mm width/9 mm max height).

■ Deda Elementi seat posts supports saddles with 0 to 8 degree tilt off of horizontal (saddle level).

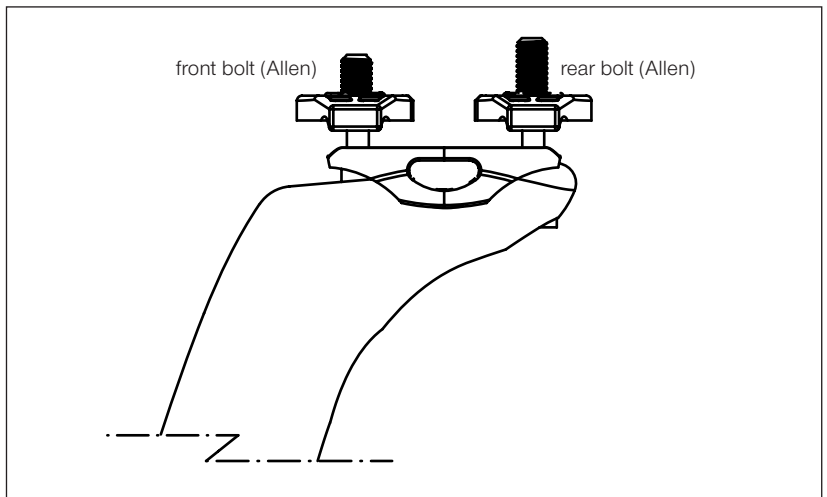
To install the saddle, loosen both clamp bolts four or five turns (it is often not necessary to take the mechanism completely apart).

If the saddle rails are too far apart (rail spacing greater than 43 mm) do not attempt to push them in the clamp grooves. Do not try to force them in. This can cause the clamping mechanism or the saddle frame to break, resulting in a crash and/or serious injuries to the rider. Use a different saddle model or consult your Deda Elementi dealer for help.

Slide the saddle in the seat post head until the frame is locked in the middle of the seat post fastening mechanism. Then position the saddle so that its upper surface is parallel to the ground.

For type A seat posts (equipped with two socket head bolts) follow the fitting plan below:

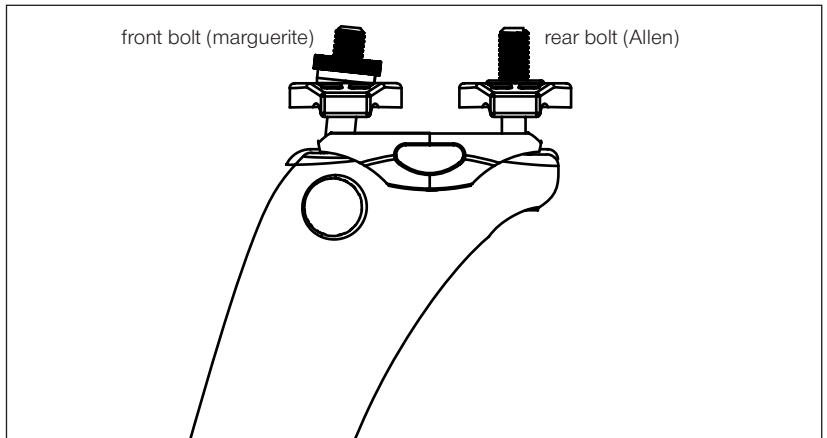
- Verify the proper positioning and tighten the bolts alternately and gradually with a torque wrench, until each reaches the recommended tightening torque values printed on the components. If the saddle is not tight enough and rotates on the seatpost, increase the torques gradually without ever exceeding the values listed in the Table 1.



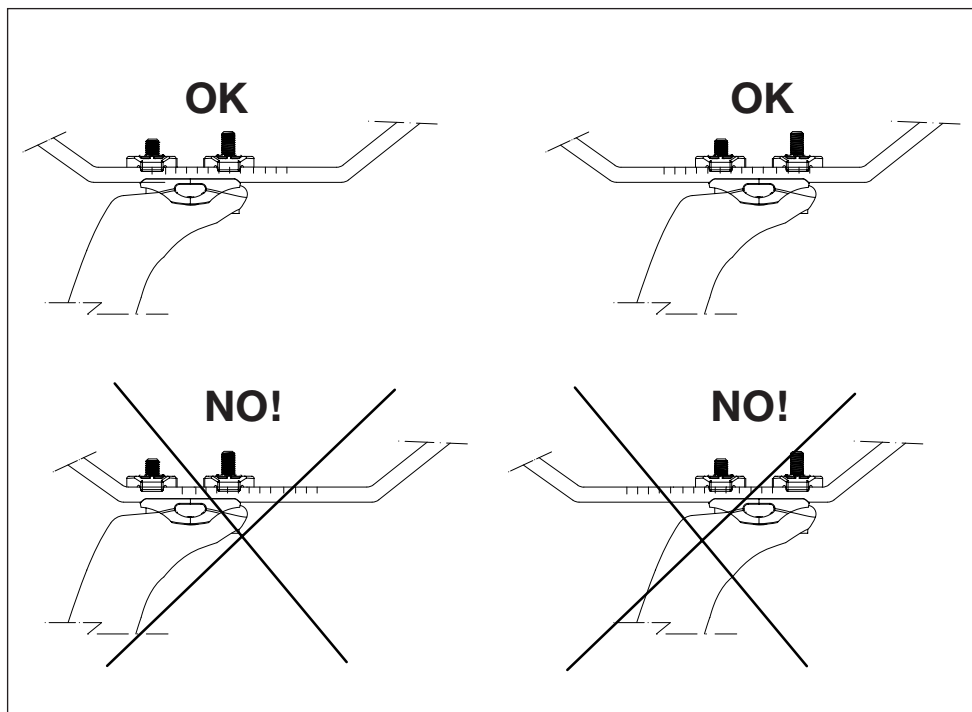


For type B seat posts (equipped with front bolt with adjusting wheel and rear socket head bolt) follow the fitting plan below:

- Tighten the front bolt manually until the saddle frame is properly placed between the two halves of the seat post glide. We recommend tilting the saddle nose slightly downward, since it will level again after you tighten the rear bolt.
- Tighten with a torque wrench the rear bolt until it reaches the recommended values indicated on the components. If the saddle is not tight enough and rotates on the seatpost, increase the torques gradually without ever exceeding the values listed in the Table 1.
- If, after tightening, the saddle exceeds the final angle desired, do not further tighten the front bolt equipped with adjustment wheel, in order not to overload the rear bolt, but instead repeat the positioning procedure increasing the initial tilt.



- To adjust the bolts always use a torque wrench and follow carefully the recommended tightening torques printed on the components. **ATTENTION:** the torque values in this manual indicate the maximum recommended torque! Please never exceed the indicated torque value!
- Never slide the saddle entirely back. Saddles and seat posts work properly in the central area of adjustment. If comfortable riding requires to move the saddle back until end of travel, this will put excessive strain on the bolts. Use a different seat post allowing a greater range of movement backwards or adjust the handlebars and steering stem assembly to adopt the most ergonomic bike riding position.



- Before fitting the saddle with a DEDA ELEMENTI & MUD seat post, read carefully the instruction for use and the limitations of the saddle itself to verify the compatibility with the DEDA ELEMENTI & MUD components.
- For doubts or in the event of discrepancy between the manuals, always use the lower recommended torque.
- DEDA ELEMENTI and MUD components are designed to operate properly if fitted following the recommended tightening torques printed on the

## WARRANTY TERMS

Deda Elementi guarantees its products to be free from defects in materials or workmanship for a period of two years after original purchase except as provided in the warranty policy. This guarantee is only valid on the purchase of an original Deda Elementi product. This guarantee is only valid for the first buyer upon presentation of proof of purchase, indicating date of purchase, address of the dealer and name of the Deda Elementi product purchased.

This warranty does not cover damage resulting from:

- Negligence (lack of care and maintenance),
- accidents
- Overstress caused by improper use
- incorrect installation and use
- Modification made to the component (e.g., shortened seat post)

## CONTACT INFORMATION

For any question or technical information contact Deda Elementi directly by visiting the website **[www.dedaelementi.com](http://www.dedaelementi.com)** and through the regular telephone numbers.

Deda Elementi s.r.l. reserves the right to modify the contents of this manual without notice. Please check the Download section of the company website for the most updated version.

**Deda**  
ELEMENTI **mus**

**Deda**  
ELEMENTI

[www.dedaelementi.com](http://www.dedaelementi.com)

Dedaindustrie S.r.l.  
Via Leonardo Da Vinci 19/21/23  
26010 Campagnola Cremasca (CR) - Italia  
Phone +39 0373 750 129  
Fax +39 0373 751 105

**Dedaos**

[www.dedaos.com.tw](http://www.dedaos.com.tw)

Deda OS  
No.8, Lane 150-30, Sec. 3, Xitun Rd.,  
Xitun Dist.  
Taichung City 407, Taiwan (R.O.C.)  
tel: +886-4-24623436  
fax: +886-4-24623430

Deda Elementi USA  
[dedausa@dedaelementi.com](mailto:dedausa@dedaelementi.com)

   #ridededa

