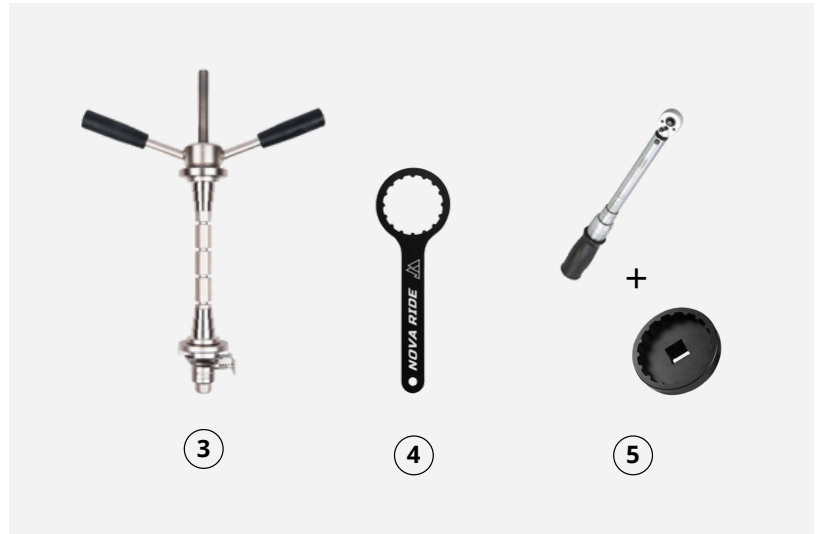




**PRESSFIT BOTTOM BRACKET**  
**BB86 / PF MTB / PF30 / BB386 / BB30**

## TOOLS NEEDED

1. Degreaser
2. Lithium grease
3. Mounting press
4. Nova Ride Tool  
or
5. Torque wrench and big Nova Ride Tool



## INSTALLATION VIDEO

For installation tutorial video, please follow the instructions in the pressfit installation video to properly mount your new bottom bracket on our Nova Ride Youtube channel.

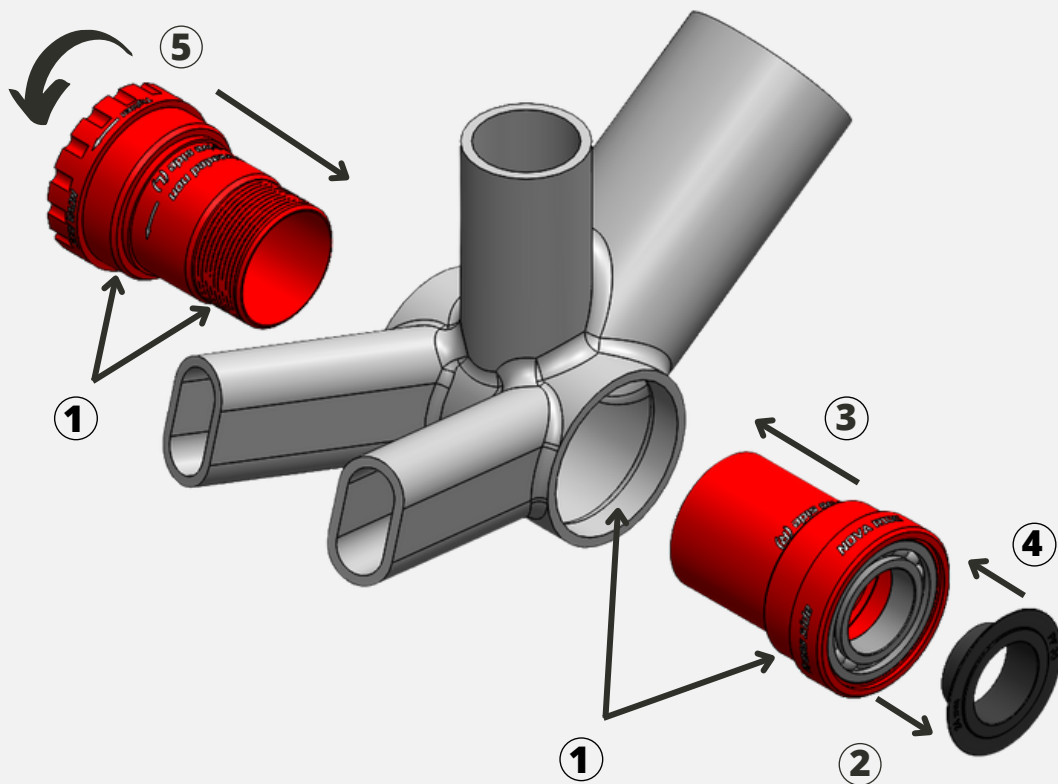
Scan this QR Code to access our installation video and social media.



# QUICK INSTALLATION

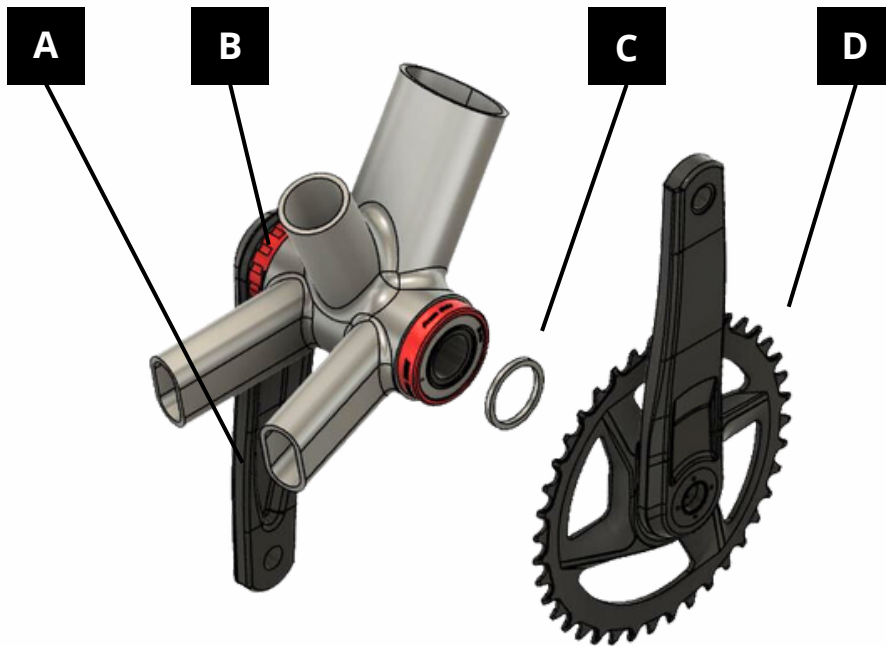
1. Grease
2. Remove the cover
3. Press the right cup
4. Put the cover back
5. Screw the left cup, tighten to 40 Nm

Non Drive Side (Left)



Drive Side (Right)

# HOW TO INSTALL SPACER FOR 29MM BOTTOM BRACKET



**A** - Left crankset   **B** - Nova Ride bottom bracket   **C** - Nova Ride spacer   **D** - Right crankset

## STEP BY STEP INSTALLATION

- 1 - Install your Nova Ride bottom bracket.
- 2 - Insert the left part of 29mm crankset into the Nova Ride bottom bracket.
- 3 - Insert the Nova Ride spacer into the left 29mm crankset.
- 4 - Install the right part of your 29mm crankset.

# WARRANTY TERMS

Nova Ride warrants all products to be free from defects in materials and workmanship. The warranty is effective from the original date of purchase. The warranty covers all Nova Ride products. It is non-transferable and valid to the original purchaser of the product only.

**CNC Alloy cups : Lifetime warranty.**

**Bearings : 4 years warranty.**

Any Nova Ride product found to be defective in materials and/or workmanship will be repaired or replaced at the discretion of Nova Ride. It is the sole responsibility of the product's user to inspect and examine the product on a regular basis to determine the need for correct maintenance or replacement.

Not covered under the warranty program : Products determined to be tampered with, modified or neglected, products that have been misused, products in lack of maintenance, products that are subject to normal wear and tear, products affected by a crash or sudden obscure impact, products damaged due to improper installation/reinstallation, products used for any purpose other than the intended use and second hand purchased products.

Fully ceramic sealed bearings so indeed there is no risk of oxidation.

# CONTACT US

**Email for After Sales Service**

sav@novatoride.com

**Email for Product info**

info@novatoride.com

# HAVE A NICE RIDE

