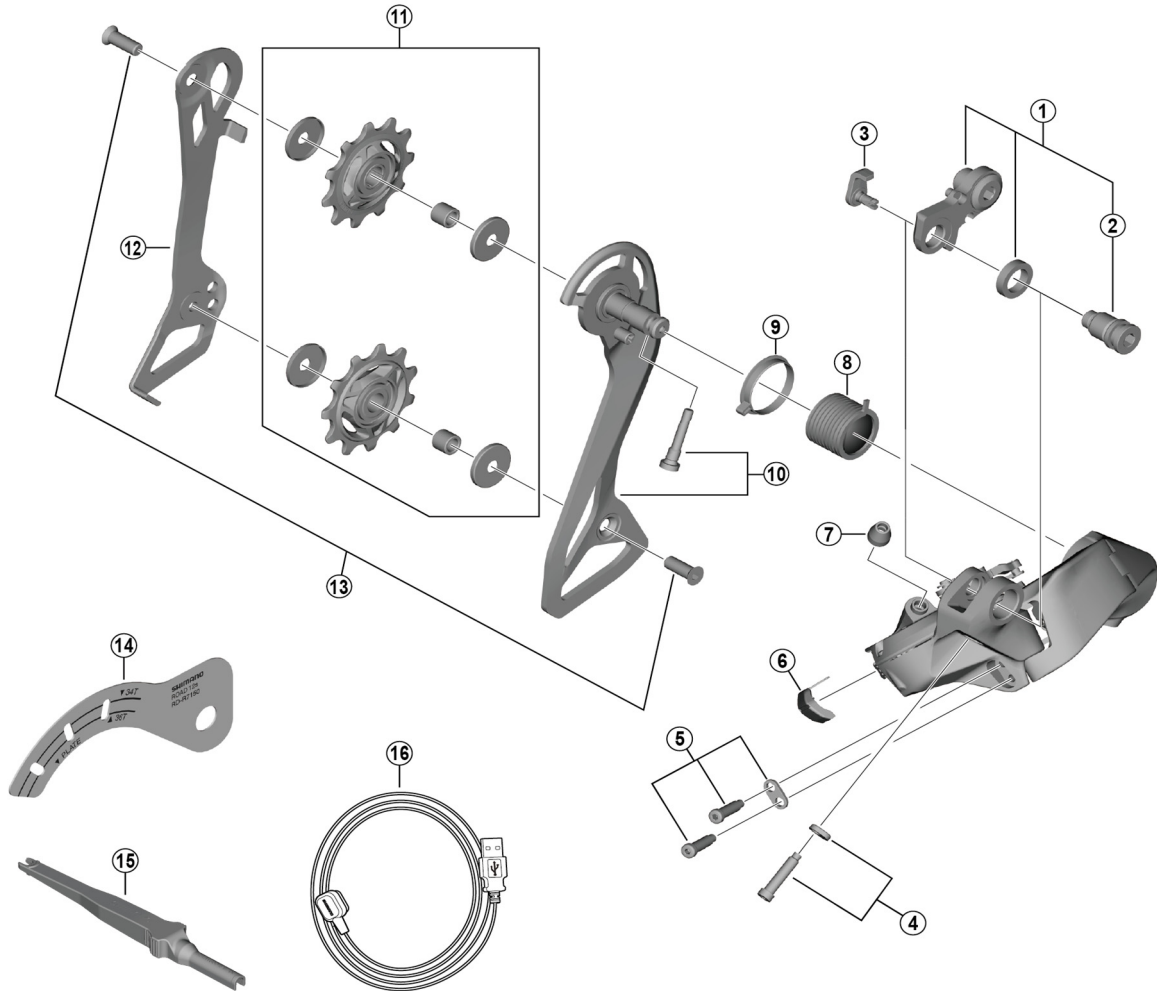


SHIMANO 105 Rear Derailleur RD-R7150 (12-speed)



RD-R8150

ITEM NO.	SHIMANO CODE NO.	DESCRIPTION	INTERCHANGEABILITY		
1	Y3HY98020	Bracket axle unit			
2	Y3HY9801T	B-axle 2			
3	Y3GK51000	Stay cable	A		
4	Y3HY98050	End adjusting screw and plate			
5	Y3HY98030	Stroke adjusting screws and plate			
6	Y3J145000	Charger cover	A		
7	Y3GK89000	Boot	A		
8	Y5PV17000	P-tension spring	A		
9	Y5PU130T0	P-seal ring	A		
10	Y3HY98040	Outer plate and fixing screw			
11	Y3HY98010	Tension and guide pulley set	B		
12	Y3HY9802T	Inner plate			
13	Y5V598140	Pulley screw (2 pcs.)	B		
14	Y3HY9803T	GG adjustment gauge			
15	Y7HE40000	TL-EW300 Plug tool	A		
16	IEWEC300A	EW-EC300 Charging cable	A		

A: Same parts.

B: Parts are usable, but differ in materials, appearance, finish, size, etc.

Absence of mark indicates non-interchangeability.

Specifications are subject to change without notice.

Aug.-2022-4927

© Shimano Inc. I

SHIMANO